

Wagner

ELECTRONIC SERVICES A/Asia
138 LIVERPOOL RD ASHFIELD 2131
PH 02 97989233 FAX 02 97980017

CONTENTS

Magnatrons	10-2
Power Transformers	10-6
Miscellaneous	10-7
Door Switch	10-8
Diodes	10-9
Lamps	10-10
Roof Liners	10-11
Thermistor	10-12
Carousel Motor	10-13
Capacitor	10-14



SECTION

10

MICROWAVE

2009

Wagner Electronics has been supplying accessories to the electronic manufacturing and servicing industry for over 25 years !

Wagner Electronics carries an extensive range of Magnatrons, Diodes, Lamps and Capacitors for Microwave Oven Servicing.



MICROWAVE OVEN MAGNETRONS

These quality magnetrons will serve as replacements in a majority of ovens from many different manufacturers.



Manufacturer brand names stipulated on the label may change from listing.

Due to global supply sources may change labeling and/or manufacturer of some listed magnetrons. Units of better or equivalent specifications will be supplied if certain brands become unavailable. Use branding as a guide only.



CHOOSING YOUR MAGNETRON

The important points to observe are:

- (A) Is it an "Inverter" type magnetron
See page 10-06 for Panasonic...
- (B) Will it physically fit in place.
Size & Mounting manner similar.
Note: Air flow in relation to the power socket and the tags.
- (C) Do the tags have bolts or not.
The bolts can be removed if necessary.
- (D) After determining the physically same unit, you may find more than one similar to your magnetron, then:
- (E) Compare the P/No listed with each.
If missing or not listed, don't fret!
Just use the most similar magnetron fitting the criteria listed above.
- (F) Then pick your wattage...



WATTAGE

Wattage output is determined by the oven's internal circuitry such as the transformer voltages, capacitor values, etc, not necessarily just the magnetron.

A Higher Wattage Magnetron Can Be Used In A Lower Wattage Oven Safely.

Measurements are outer dimensions or centre hole/stud distances measured in millimeters. +/- 5mm

Again check the part numbers and dimensions as your best guide for selecting your replacement magnetron.



SERVICE TECHNICIANS

THIS IS NOT A HOBBY!
Please beware of what you are doing because inside microwaves have LETHAL voltages, even when the power is disconnected.

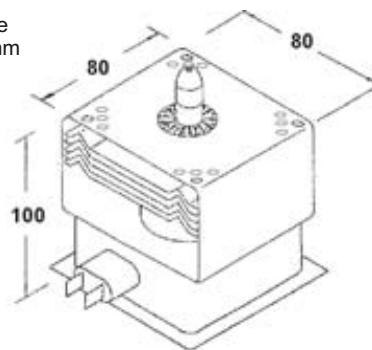
LETHAL VOLTAGES INSIDE
There is a rather large capacitor inside that stores thousands of volts. You should short this out to extinguish any residue charge that may harm you.

QUALIFIED PERSONAL ONLY
Know what you are doing!



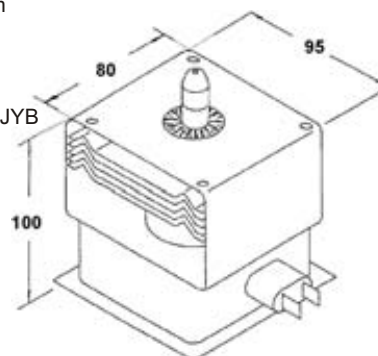
NO TAGS INLINE 850W

Size 80x80x100mm
Mounting Holes on case Aproximatly = 65 x 65mm (+ other mount holes)
Watts 850W
Freq. 2458MHz
FV 3.3V
PAV 4000V
PAI 300mA
A650 HYIS
2M214-04/HY
2M218-HBY
RVMZA080WREO
OEM AWI
Code AM711



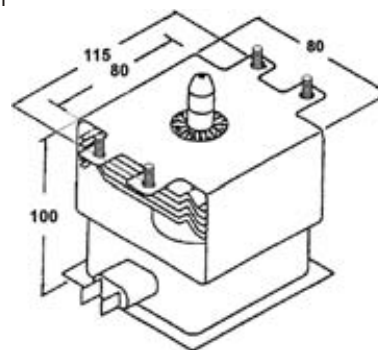
NO TAGS NOT-INLINE 850W

Size 95x80x100mm
Watts 850W
P/No. CK623HY
A670-HY
2M214-06
2M172-ADWII/JYB
2M172(YC)
OM75(51)
S107JYB
OEM AWI
Code AM705



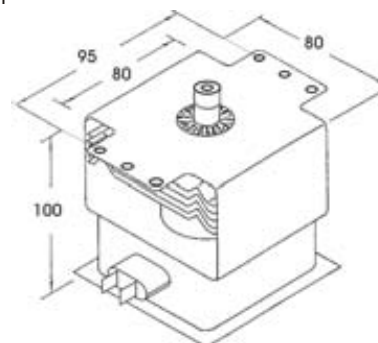
STUDS ALL-INLINE 850W

Size 80x80x100mm
Watts 850W
Freq. 2458MHz
FV 3.3V
PAV 4000V
PAI 300mA
Equiv. A650-I
2M214-23
2M214-57
2M218H
AM719
OEM AWI
Code AM719



ALL-INLINE 950W

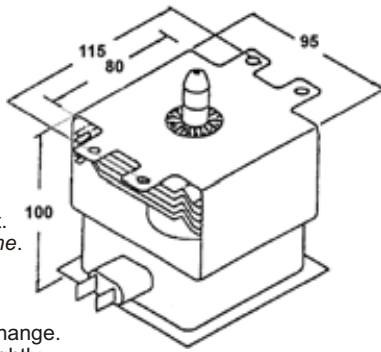
Size 80x80x100mm
Watts 950W
Freq. 2460MHz
FV 3.3V 12A
PAV 4500V
PAI 350mA
P/No. 2M214
2M218/H
2M238
MS194W
4150021502
6324W1A003C
Brand LG
Equiv. Daewoo & Sanyo, etc.
Code AM742





ALL-INLINE 850W

Size 80x95x100mm
 Watts 850W
 General Replacement
 Suit OM75S-21
 and many others
 Code MAG703

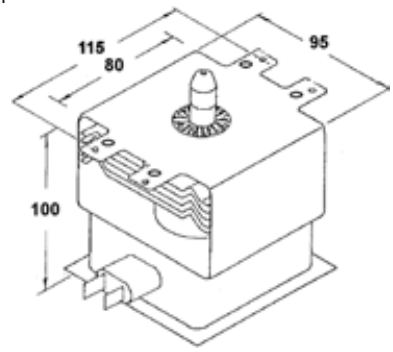


NOTE:

Tags are inline with the air vent & power socket. Referred to as *All-In-Line*. A higher wattage unit can be used safely in a Lower power oven. Brands supplied may change. Diagrams may differ slightly.

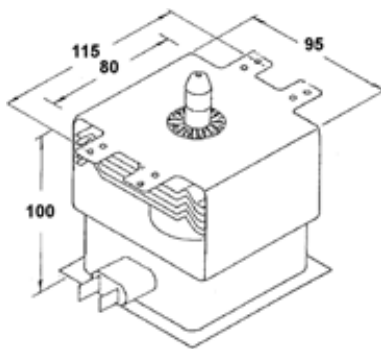
ALL-INLINE 1KW

Size 80x95x100mm
 Watts 1000W
 Freq. 2458MHz
 FV 3.3V
 PAV 4000V
 PAI 300mA
 Equiv. A670-IH
 2M107A(94)
 2M247H(B)
 OM75(020)
 S107HB
 OEM AWI
 Code AM724



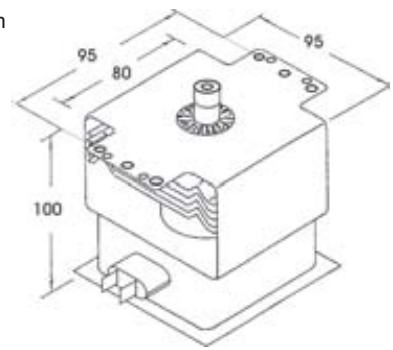
ALL-INLINE 850W

Size 80x95x100mm
 Watts 850W
 Freq. 2458MHz
 FV 3.15V
 PAV 4000V
 PAI 300mA
 Equiv. A670-IH
 2M224(62)
 2M172AH/DW/P/HB
 RVMZA047WREO
 2M219HB
 2M107A-33/94,
 OM75-020,S107HB,
 OEM AWI
 Code AM707



ALL-INLINE 1KW

Size 80x95x100mm
 Watts 1000 (1KW)
 Freq. 2460MHz
 FV 3.15V
 PAV 4350V
 PAI 330mA
 P/No. 2M248H
 2M248H-B
 6324W1A001N
 Code MAG2481

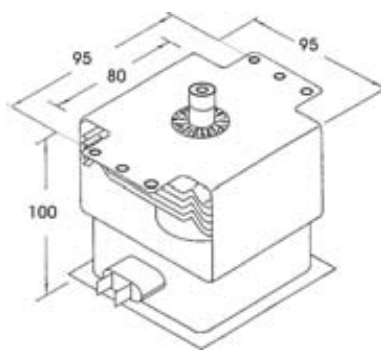


AWI NOTE:

Please note that brand labeled may change depending on stock supplied

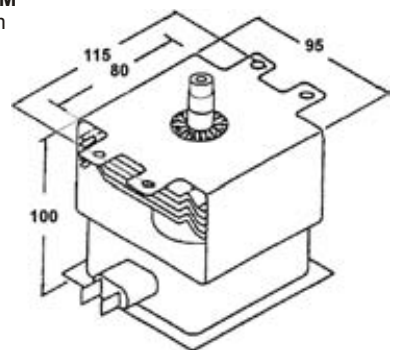
ALL-INLINE 850W

Size 80x95x100mm
 Watts 850W
 Freq. 2458MHz
 FV 3.15V
 PAV 4000V
 PAI 300mA
 Equiv. Dae-Woo & Sanyo.
 OEM AWI
 Code AM741



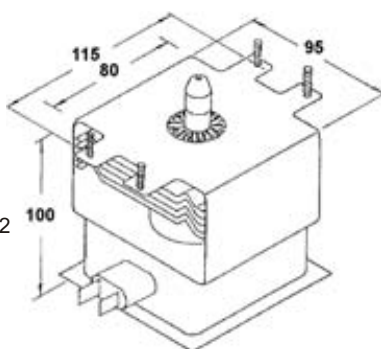
ALL-INLINE 1KW

GENUINE SHARP OEM
 Size 80x95x100mm
 Watts 1000W
 FV 4.35V(Peak)
 Original OEM Sharp
 RV-MZ A295 WRE0
 2M248H(L)
 350 562 0254
 Code MAG295



STUDS ALL-INLINE 850W

Size 80x95x100mm
 Watts 850W
 Freq. 2458MHz
 FV 3.15V
 P 4KV 300mA
 A670-I, NL2555-2,
 2M172H/AH/Y/CB.N
 2M219H,2M107(79)
 2M189AM4,2M128D1
 OM75-A(20)/9020
 OM75S-20,S107H,H172
AWI
 Code AM708

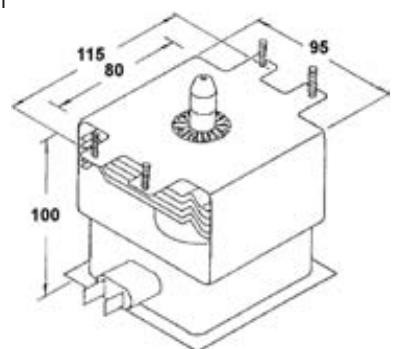


DAI-1CHI

Code MAG704

STUDS ALL-INLINE 1KW

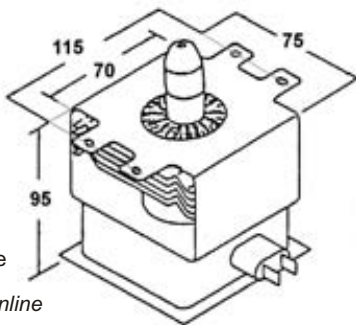
Size 80x95x100mm
 Watts 1000W
 Freq. 2458MHz
 FV 3.15V
 PAV 4000V
 PAI 350mA
AWI 1000W
 Equiv. 2M107(79),
 OM75(20),
 2M247,
 S107H,
 H3801-03
 Code AM722





TAGS INLINE SOCKET NOT-INLINE 600W

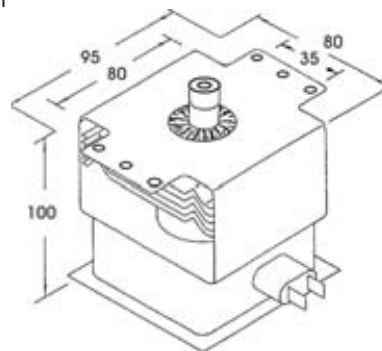
Size 70x75x95mm
Watts 600W
General Replacement
Compact Microwave
P/No. AM698
OM52-S11
Code MAG698



NOTE:
Tags are inline with the air vent but are NOT inline with the power socket.
Tags Inline - Socket Not Inline
A higher wattage unit can be used safely in a Lower power oven.

TAGS INLINE SOCKET NOT-INLINE 950W

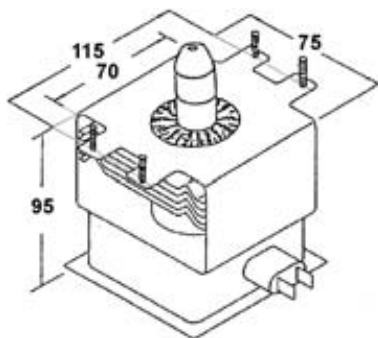
Size 80x80x100mm
Watts 950W
Freq. 2460MHz
FV 3.3V 12.5A
PAV 4500V
PAI 350mA
P/No. 2M214
2M214.A01GLK
2B71732G
Brand "LG"
Code AM743



*Brand may change.

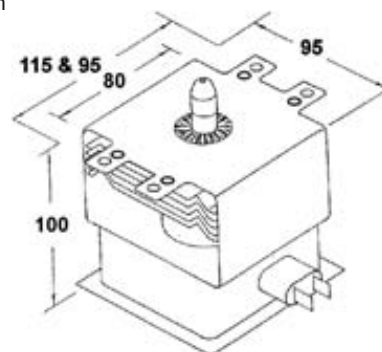
STUDS INLINE SOCKET NOT-INLINE 600W

Size 70x75x95mm
Watts 600W
P/No. AM700
OM52-S10
2M209A
Code MAG700



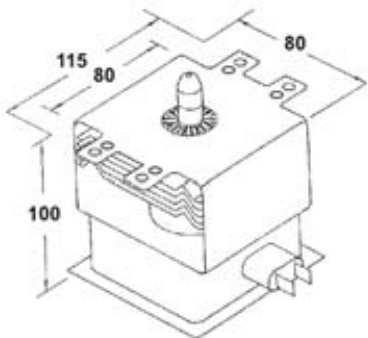
TAGS INLINE SOCKET NOT-INLINE 850W

Size 80x95x100mm
Watts 850W
Freq. 2458MHz
FV 3.15V
PAV 4000V
PAI 300mA
Equiv. A670-OH,
2M107A,
2M204M3,
2M219JB,
2M240J(Y),
OM75(11),
S107JB
OEM AWI
Code AM701



TAGS INLINE SOCKET NOT-INLINE 850W

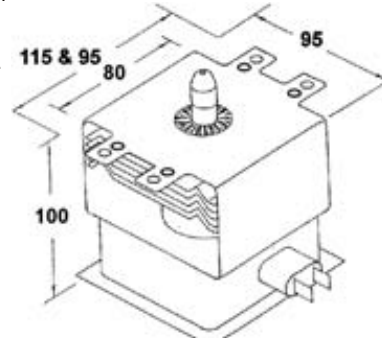
Size 80x80x100mm
Watts 850W
Freq. 2458MHz
FV 3.3V
PAV 4000V
PAI 300mA
P/No. A650-OH
2M207-22
2M218-JB
OEM AWI
Code AM717



*AWI
Please note that the Brand may change.

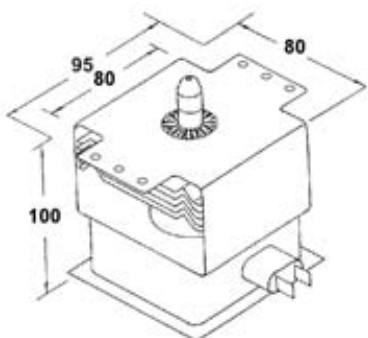
TAGS INLINE SOCKET NOT-INLINE 850W

Size 80x95x100mm
Watts 850W
General Replacement
OM75S-11 and more...
Code MAG701



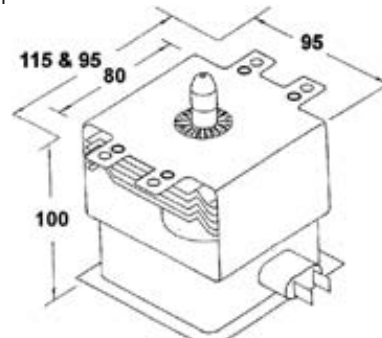
TAGS INLINE SOCKET NOT-INLINE 910W

Size 80x80x100mm
Watts 910W
Freq. 2460MHz
FV 3.75V 10.5A
PAV 4100V
PAI 1200mA
Equiv. 2B71732A
2B71732B
2M214-39
2M218JXZ
2M218JQZ
2M229JCL
AM734
EAS50093701
MS305CL
Code MAG710



TAGS INLINE SOCKET NOT-INLINE 1KW

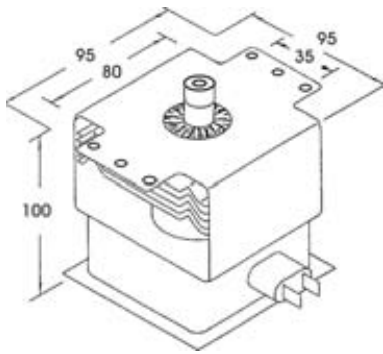
Size 80x95x100mm
Watts 1000 (1KW)
Freq. 2458MHz
FV 3.3V
PAV 4000V
PAI 300mA
Equiv. AM670-OH
2M240J(Y)
2M247JB
S107JB
OEM AWI
Code AM723





TAGS INLINE SOCKET NOT-INLINE 1KW

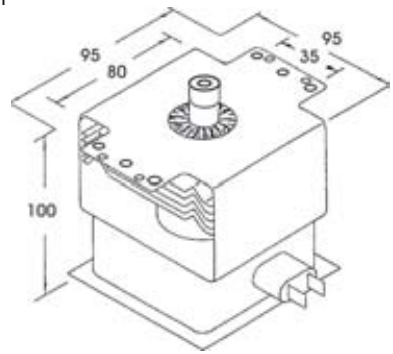
Size 80x95x100mm
 Watts 1025W
 Freq. 2460MHz
 FV 3.15V 12A
 PAV 4850V
 PAI 380mA
 P/No. 2M248J
 MS364F
 6324W1A001A
 Brand "Toshiba"*
 Code AM727



*Brand may change.

TAGS INLINE SOCKET NOT-INLINE 1.1KW

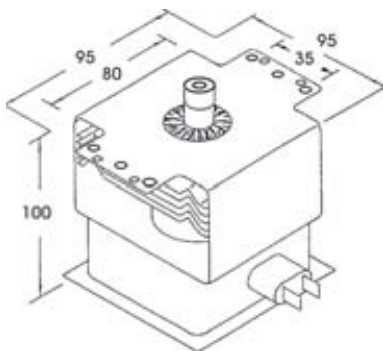
Size 80x95x100mm
 Watts 1080W
 Freq. 2460MHz
 FV 3.15V 12.5A
 PAV 4850V
 PAI 380mA
 P/No. 2M282J
 MS4842HB
 6324W1A001E
 Brand "Toshiba"*
 Code MAG2821



*Brand may change.

TAGS INLINE SOCKET NOT-INLINE 1KW

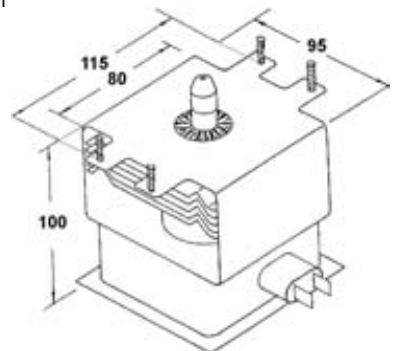
Size 80x95x100mm
 Watts 1025W
 Freq. 2460MHz
 FV 3.15V 12A
 PAV 4850V
 PAI 380mA
 P/No. 2M246
 6324W1A001L
 Brand "LG"*
 Code MAG2461



*Brand may change.

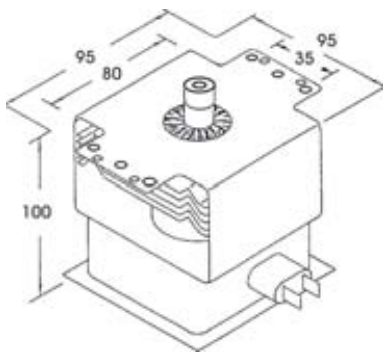
STUDS INLINE SOCKET NOT-INLINE 850W

Size 80x95x115mm
 Watts 850W
 General Replacement
 P/No. OM75S-10
 NL2555-1
 Code MAG702



TAGS INLINE SOCKET NOT-INLINE 1.1KW

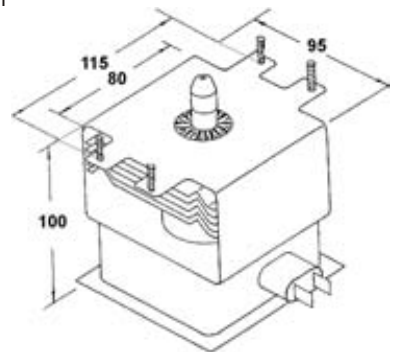
Size 80x95x100mm
 Watts 1100W
 Freq. 2460MHz
 FV 3.15V 12.5A
 PAV 4850V
 PAI 380mA
 P/No. 2M246
 6324W1A001B
 Brand "LG"*
 Code MAG2462



*Brand may change.

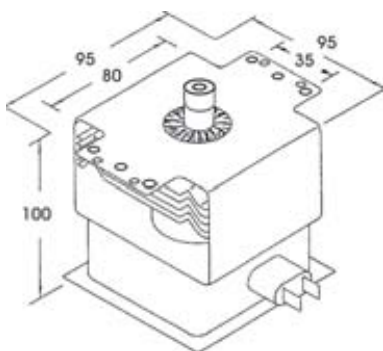
STUDS INLINE SOCKET NOT-INLINE 850W

Size 80x95x100mm
 Watts 850W
 Freq. 2458MHz
 FV 3.15V
 PAV 4000V
 PAI 300mA
 Equiv. A670-0
 2M172AJ/JA/N, 2M128
 2M107A-11/66/825
 2M107A-82/95/96/97
 2M142, 2M157/M2B,
 FVMZA0108WRKO,
 H3801-01
 OM75-10/010,
 OEM AWI
 Code AM702



TAGS INLINE SOCKET NOT-INLINE 1.2KW

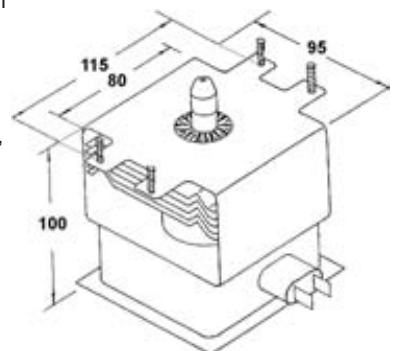
Size 80x95x100mm
 Watts 1200W
 Freq. 2470MHz
 FV 3.6V 12A
 PAV 4850V
 PAI 330mA
 P/No. 2M246
 Brand "LG"*
 6324W1A001L
 Code MAG2463



*Brand may change.

STUDS INLINE SOCKET NOT-INLINE 1KW

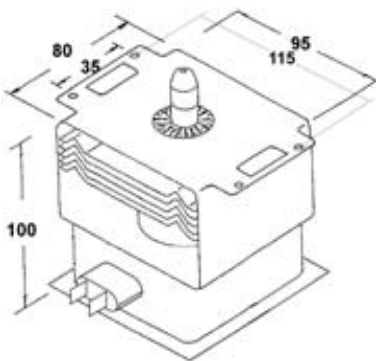
Size 80x95x100mm
 Watts 1000 (1KW)
 Freq. 2458MHz
 FV 3.3V
 PAV 4000V
 PAI 300mA
 Equiv. S1075, OM75,
 AM670-0
 2M157 M2B
 2M161,
 2M107A,
 2M218,
 2M247J
 OEM
 Code AWI
 AM721





TAGS NOT-INLINE 850W

Size 95x80x100mm
Watts 850W
Freq. 2458MHz
FV 3.15V
PAV 4000V
PAI 300mA
Equiv. A670-WTOH
2M186M2
2M219JWB
OM75(41)
S107JWB
OEM AWI
Code AM706



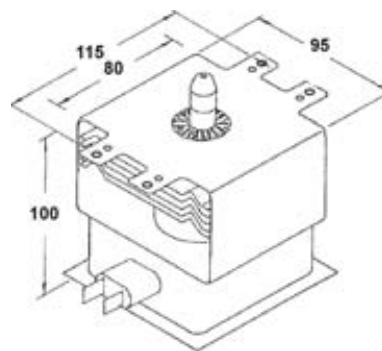
PANASONIC INVERTER TYPE

TWO MODELS:

Code 2M236M42E

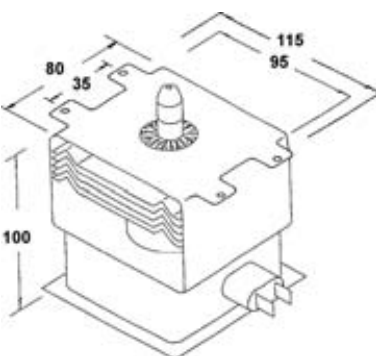
Code 2M261M32G

WARNING!
Use for
Inverter type
ovens only!



TAGS NOT-INLINE 850W

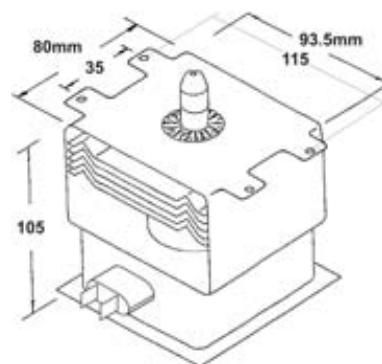
Size 95x80x100mm
Watts 850W
Freq. 2458MHz
FV 3.15V
PAV 4000V
PAI 300mA
Equiv. A670-FOH
2M107A325
2M157M1
2M161
2M172FJB
2M210M1
OM75(11)
S107FJB
OEM AWI
Code AM703



PANASONIC INVERTER TYPE

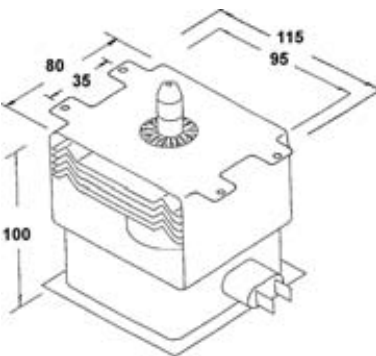
Code 2M261-M22

WARNING!
Use for
Inverter type
ovens only!



TAGS NOT-INLINE 850W

Size 95x80x100mm
Watts 850W
General Replacement
Suit A670-FOH
AM703
DE03-30012A
OM75S-31D
OM75SD-31
2M204-M1
2M210-M1
2M244-M1
2M244-M23
many others
Code MAG708



PANASONIC SMPS PARTS

TWO TRANSISTOR OEM KIT

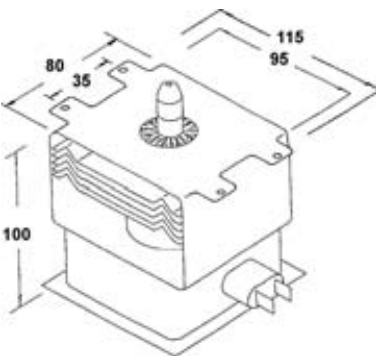
Update Kit from Panasonic
Includes Two Transistors
P/No. A691E4V00GPS
P/No. A691E4V10GP
Q701 *GT60N321 (G60N90)
AESCGT60N321
Q702 1M30D-060
AESPGT30J322

PARTS KIT
Code KIT691



TAGS NOT-INLINE 1KW

Size 95x80x100mm
Watts 1000 (1KW)
P/No. 2M244-M23
Code MAG709



MORE SMPS PARTS

MAY ALSO REQUIRE REPLACING
The following are parts that the manufacturer recommends replacing:

BRIDGE RECTIFIER
AESTRBV6206
Code D20XB60

362K 3KV CAP
ECKK3FF362KDU
Code ECK362

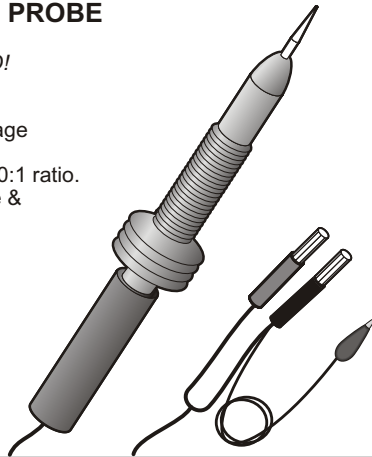
CAPACITORS
See last page or
See Section 2





HIGH VOLTAGE PROBE

DON'T GET ZAPPED!
 Test the capacitor for voltage first. Also for checking correct voltage and rectification, etc.
 40KV. ±2% 1GΩ 1000:1 ratio.
 Suitable for Analogue & Digital Multi-meters.
 Code HV40



TOUCH-UP PAINT FOR MICROWAVE

Inspect oven and cavities.
 Scratches may cause sparks and reduce the life of the magnetron.
 Special paint formulated for Microwave oven internal surfaces.
 Touch-up scratches in the cavity, etc.
 Available in classic white or cream
 Supplied in little 15ml hobby tins

WHITE
 15ml MWP15W

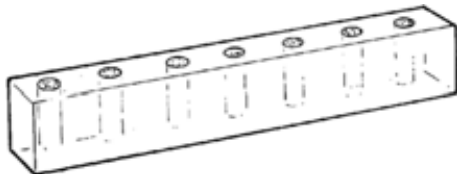
CREAM
 15ml MWP15C



Paint brushes available - See section 14 Tools...

NEON MICROWAVE TESTER

Indicates the existence of microwave energy distribution within the oven cavity with a dancing light display.
 Code TM319



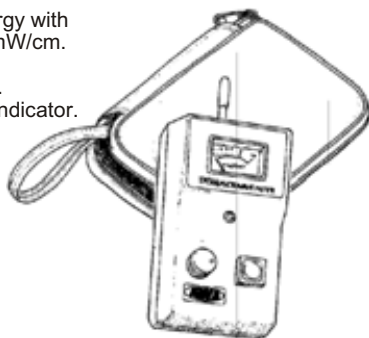
MICROWAVE MANUAL

There are many dangers involved in servicing microwave ovens. You should prepare yourself with information on the correct safety precautions and basic operations. This 66 page book offers all this information and much more including oven testing, door leakage, cooking sensors, common faults and diagnostic flow charts, popular circuits, and lots of general knowledge for microwave servicing. A must for every workshop or even for those of you who are curious about how these things operate.
 Code MAN-MICRO



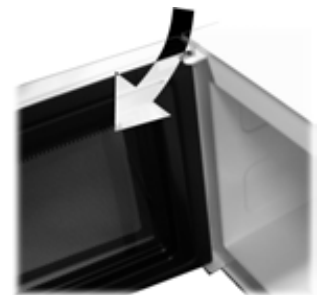
MICROWAVE LEAKAGE MONITOR

Fully tested and calibrated for testing the integrity of seals for microwave leakage.
 Detects microwave energy with the one range of 0→10mW/cm.
 Includes instructions, battery and carry pouch.
 With instrument failure indicator.
 Code TM318



INNER DOOR LINING

Clear transparent film.
 Heat and microwave proof type plastic.
 A replacement for the damaged inner linings of oven doors.
 With sticky adhesive on one side for application.
 Simply cut to size and stick on!
 Size 500x350mm
 Code ADF535



SCREW DRIVERS & FIXING NUTS

100MM SHAFT JAPAN
 Code HT15H
200MM SHAFT JAPAN
 Code HT15HLG
1/4" HEX BIT
 Code HEX815
DRILL BIT HOLDER
 Suit HEX815, etc.
 Code HTC40

SEE SECTION 14 FOR MORE.....

MAGNETRON FIXING NUTS
 Supplied in a bag of four.
 Code M35



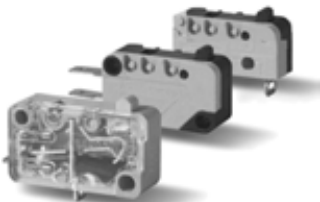
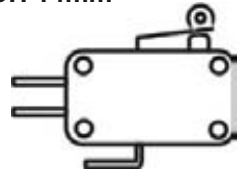
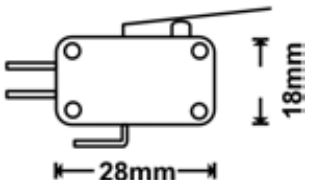
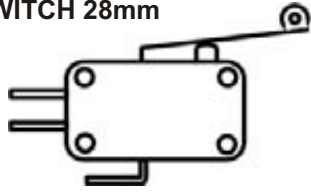
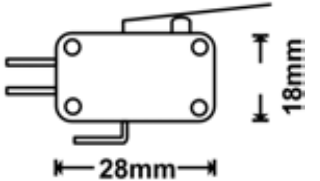
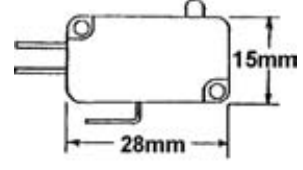
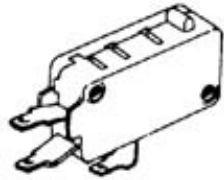
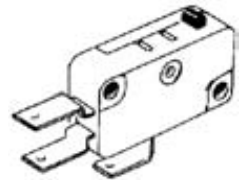
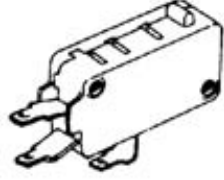
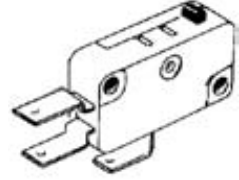
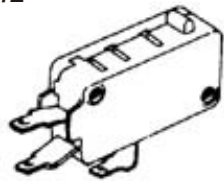
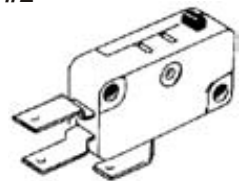
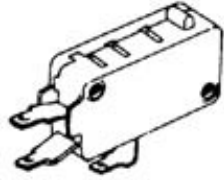
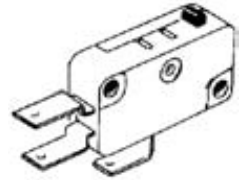
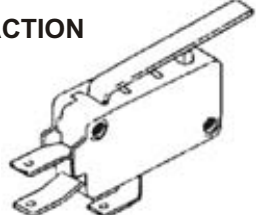
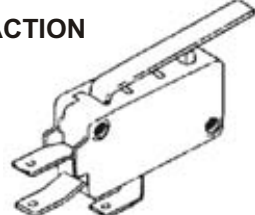
SECURITY TAMPER LABELS

"WARNING WARRANTY VOID IF SEAL BROKEN OR TAMPERED WITH."
 Place over screws and seals to prevent tampering. Suit repair shops, etc.
 Special type sticker that will not peel off in one go.
 Convenient dispenser box.

Roll 500 pcs.
 Code WL500





<p>MICRO-SWITCH</p> <p>PREMIUM GRADE Safety switches need to be reliable and dependable Change your door switch with genuine quality...</p> 	<p>ROLLER-LEVER SWITCH 14mm</p> <p>Roller wheel for mechanical triggering 14mm lever length 10A 250Vac <i>FTM</i> Code SWM424</p> 
<p>MICRO-SWITCH COMMON ECONOMY</p> <p>Single Pole Double Throw 6mm Spade Contacts Power 10A/240Vac Lever 25mm Code SWM420</p> 	<p>ROLLER-LEVER SWITCH 28mm</p> <p>Roller wheel for mechanical triggering 28mm lever length 3A 250V / 6A 110V Code SWM425</p> 
<p>OEM PANASONIC MICROWAVE OVEN SWITCH</p> <p>Single Pole Single Throw Pwr. 15A 240Vac Code SW1600</p> 	<p>OEM SHARP OVEN SWITCH</p> <p>Sharp P/No. QSW-M0085WREO Code SW5110</p> 
<p>AWI SWITCH ECONOMY</p> <p>Pwr. 15A Tags 4.6mm Code MS107</p> 	<p>AWI SWITCH ECONOMY</p> <p>Pwr. 16A Tags 6.3mm Code MS106</p> 
<p>AWI SWITCH NORMAL #1</p> <p>Honeywell Pwr. 10A Tags 4.6mm Code MS098</p> 	<p>AWI SWITCH NORMAL #1</p> <p>Honeywell Pwr. 10A Tags 6.3mm Code MS101</p> 
<p>AWI SWITCH NORMAL #2</p> <p>Honeywell Pwr. 16A Tags 4.6mm Code MS198</p> 	<p>AWI SWITCH NORMAL #2</p> <p>Honeywell Pwr. 16A Tags 6.3mm Code MS201</p> 
<p>AWI SWITCH LIGHT PRESSURE</p> <p>Honeywell Pwr. 16A Tags 4.6mm Code MS298</p> 	<p>AWI SWITCH LIGHT PRESSURE</p> <p>Honeywell Pwr. 16A Tags 6.3mm Code MS301</p> 
<p>AWI SWITCH LEVER ACTION</p> <p>Honeywell Lever 25mm Pwr. 16A Tags 4.6mm Code MS199</p> 	<p>AWI SWITCH LEVER ACTION</p> <p>Honeywell Lever 25mm Pwr. 16A Tags 6.3mm Code MS202</p> 



HVR-1X-3T RECTIFIER DIODE

SPADE TERMINALS
 Diode HVR1X3T
 HVCA 12KV 500mA
 8mS 30A Surge Max.

6mm → 4mm
 Code HD200

DIODE SET

Common microwave replacement set. HV6X2P & HV05-12
 Supplied already wired with connectors (6mm).
 Code ZA018

eg. Replacement for SHARP FHD ZA017 WREO

HVR-1X-3T RECTIFIER DIODE

RING VERSION
 Volts 12KV
 Diode HVR1X3T
 Replace 2X062H
 HV6X2P

6mm → RING
 Code HD201

DIODE SET WITH LEAD

ZA017 Diode set with lead wire off protector diode.
 Diodes HVR-1X4, 2X062H
 Sharp FW-QZA025WRKO
 350 536 0640
 Code MWD025

HVR-1X-4 RECTIFIER DIODE

10K Volts, 500mA
 Genuine OEM.
 No Terminals.
 Code HVR1X4

PANASONIC PROTECTOR DIODE

Original cabling
 A606V5110BP
 Diode 2X062H
 Code MWD606

HVR-1X-7 RECTIFIER DIODE

6.35mm Spade to 4mm I/D Ring
 12KV 550mA Microwave Oven
 OEM Premium grade diode
 AWI D202 HVR3-12 HVR1X-72
 Code HVR1X7

ANE6202 DIODE

Orig. P/No.
 ANE6202-C90
 eq to ANE6202-F50
 Code MWD90

HV05-12 RECTIFIER DIODE

HV05 550mA 12KV Rectifier
 Replacement type diode

4.3mm → RING
 ZA511

6.0mm → RING
 ZA521

75HVP10 DIODE

PWR 16KV, 750mA
 AWI 75-HVP16
 Code HD204M

MICROWAVE SHORT PROTECTOR

Diode HVR-2X062H
 HVR-062
 AWI D208
 P/No. A606V4760JP
 Equiv. A606V5110BP
 6mm & 6mm
 Code HD208

ANE6202B60AP DIODE

Code MWD60

MICROWAVE SHORT PROTECTOR

NO TERMINALS
 HV-6X2PI 6KV
 Code HV6X2P

6mm → 6mm
 Code ZA530

HIGH VOLTAGE DIODES

TO RECTIFY & TO PROTECT

REMEMBER TO DISCHARGE THE HIGH-VOLTAGE CAPACITORS !

Generally Protection Diodes fail by going short-circuit.
 Always replace BOTH Diodes.

High voltage



LAMPS - MICROWAVE CONVECTION & FRIDGE

All lamps are premium quality, designed for use in microwaves. **CONVECTION or Temp=300°C** will tolerate heat of convection ovens.

E17 = 17mm
E14 = 14mm

Any lamps will suit fridges, etc. Pictures are accurate at the time of printing but may vary slightly.



AWI LAMP E17 NARROW 125VAC

Base E17
Volt 125VAC
Watt 20W
Temp 300°C
Code CL822



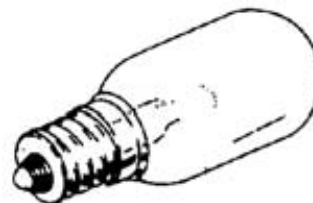
AWI LAMP E14 NARROW

CONVECTION
High-Temp Globe
P 25W 240VAC
Temp. 300°C
Code CL807



PANASONIC LAMP E17 NARROW

Orig. A60304080BP
Base E17
Watt 250V 20W
Temp 300°C
Code MWL80



PANASONIC E14 NARROW

Eq. ANE6030Q50GN
Base E14 SES
Watt 25
Volt 240
Temp. 300°C
Code MWL50



PANASONIC LAMP E17 NARROW 125V

ANE6030540AP
Base E17
Watt 20
Volt 125
Code MWL40



AWI LAMP E14 PEAR

Base E14 SES
Watt 15
Temp 300°C
Volt 240
Code CL806



AWI LAMP E17 ROUND 250V

Base E17
Power 25W
240Vac
Temp. 300°C
Code CL816



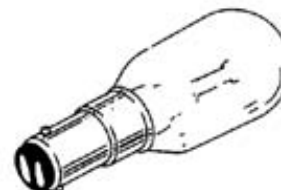
AWI LAMP E14 ROUND

Base E14 SES
Watt 40
Volt 240
Code CL801



AWI LAMP B15 NARROW

Base B15 SBC
Watt 15
Volt 240
Code CL803



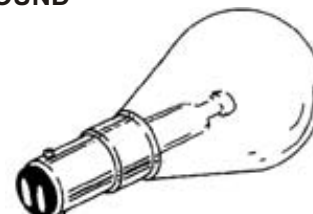
AWI LAMP E14 LONG

Base E14 SES
Power 25W 240VAC
Code CL818



AWI LAMP B15 ROUND

Base B15 SBC
Watt 25
Volt 240
Code CL808



AWI LAMP E17 NARROW

Base E17
Power 15W 240VAC
Temp. 300°C
Code CL815

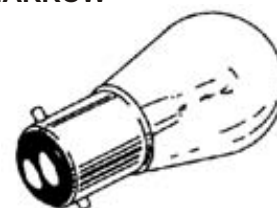
Power 20W 240VAC
Code CL821



AWI LAMP B22 NARROW

Base BC B22D
Watt 15
Volt 240
Code CL804

Watt 25
Code CL809





AWI LAMP & BRACKET

Tags 4.3mm
 Watt 20
 Volt 240
 Suit NEC & others
 Code CL823

ROOF LINER 450mm

Simply cut to shape.
 Size 450 x 450mm
MICA
 Code RF501M

AWI LAMP & BRACKET

Tags 4.3mm
 Watt 20
 Volt 240
 Suit Toshiba & others
 Code CL825

ROOF LINER 300mm

Simply cut to shape.
 Size 300 x 300mm
MICA
 Code RF502M

AWI LAMP & BRACKET

High-temp bulb & base as one
 40mm between mounting holes
 with socket receptacle.
 Tags 4.3mm
 Watt 25
 Volt 240
 Code CL831

ROOF LINER 127mm

Simply cut to shape.
 Size 203 x 127mm
MICA
 Code RF504M

AWI LAMP & BRACKET

Hi-Temp bulb & base as one
 40mm between mounting holes
 25mmØ(Bulb) 66mm Height
 Tags 6mm
 Watt 25
 Volt 240
 Code CL827

ROOF LINER SANYO OEM

Specific shape.
 Size 370 x 400mm
 Type Mica
 Suit Sanyo & others.
 Code RF503M

AWI LAMP & BRACKET

Bulb & Base One-piece. T170
 40mm between mounting holes,
 25mmØ(Bulb) 60mm Height
 Tags 4.3mm
 Watt 25
 Volt 240
 Code CL828

ROOF LINER SANYO OEM

Specific shape.
 Size 324 x 337mm
 Type Mica
 Suit Sanyo & others.
 Code RF505M

SHARP LAMP

Horizontal Type
 RLMPUA001WRE0
 350 626 0293
 Code LMP001

INNER DOOR LINING

Clear transparent replacement for linings of oven doors. With sticky adhesive on one side.
 Size 500x350mm
 Code ADF535

Clear Film 350 x 500mm



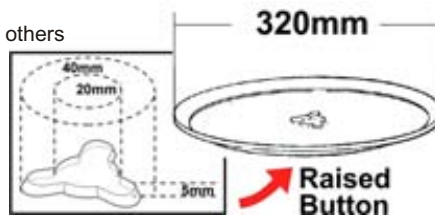
TOUCH-UP PAINT FOR MICROWAVE

Special paint formulated for Microwave oven internal surfaces
 Touch-up scratches in the cavity
 White MWP15W
 15ml
 Cream MWP15C
 15ml



MICROWAVE GLASS TRAY

Suit Sanyo & others
Type Trigonal
320mm O/D
Code GT252



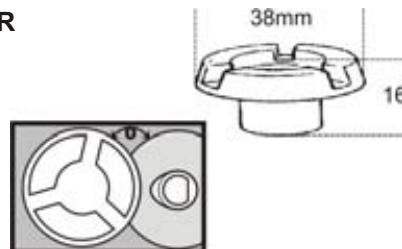
MICROWAVE VARISTOR

Orig. ANE604V820JN
Code MWV820



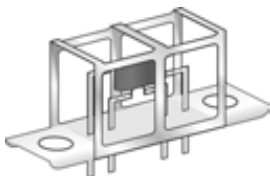
TRAY COUPLER

Suit Sanyo & others
Type Trigonal to Half Moon
Code NT48



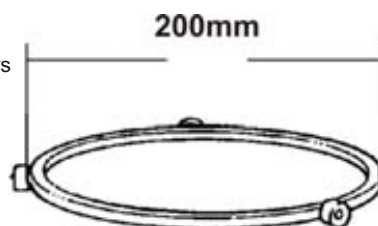
PANASONIC MICROWAVE SENSOR

Orig. ANE601LF70
Code MWS601



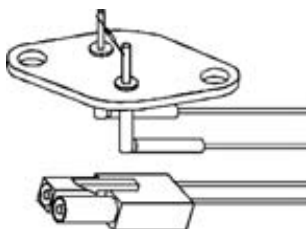
TRAY CARRIERS

Microwave oven platters skate on tri-wheel base
Plastic, safe materials
Diam. 200mm
Suit Many brands
Code RBA251



SHARP THERMISTOR

Convection Microwave Temperature sensor
Orig. FH-HZA010WREO
FH-HZA011WREO
Code ZA010

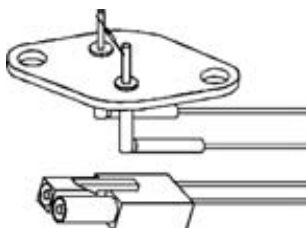


PORTABLE APPLIANCE TESTER

As part of the new OHS laws in Australia (May Vary Between States) it is required to regularly check power cables, power boards, appliances such as electric power tools, microwave ovens, plug-in air conditioners, toasters, vacuum cleaners, computers, etc. to ensure that the equipment is electrically safe. The Kyoritsu 6201A is hand-held portable appliance tester that ensures the Safety of Class I and Class II appliances, Extension leads and Leakage Current. Large LCD displays the mains voltage, plus other functions. 4 LED indicators and buzzer sound identifies if each test has passed or failed. Fuse protected. Includes Mains cord, Test lead with safety alligator clip / probe attachments & Extension lead test cable. Made in Japan. Pass / Fail Stickers Not Included. See Below.
Code AT6201A

SHARP THERMISTOR

Convection Microwave Temperature sensor
Orig. FH-HZA041WREO
Code ZA041



PASS / FAIL STICKERS

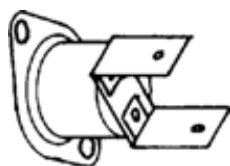
On completion of each test of the appliance / cable it is required to be labeled with a PASS or FAIL sticker that is filled in with identification details.

PASS STICKER ROLL OF 250 PIECES
Code PASS-TAGS

FAIL STICKER ROLL OF 250 PIECES
Code FAIL-TAGS

THERMAL CUT-OFFS 10A

CODE	TEMP	Self Resetting 10A 240VAC Available in °C
MWT70	70	
MWT75	75	
MWT80	80	
MWT85	85	
MWT90	90	
MWT95	95	
MWT100	100	
MWT105	105	
MWT110	110	
MWT115	115	
MWT120	120	
MWT125	125	
MWT130	130	
MWT135	135	
MWT140	140	
MWT145	145	
MWT150	150	
MWT155	155	
MWT160	160	
MWT165	165	



KYORITSU
JAPANESE QUALITY



CAROUSEL MOTOR 16+8mm/10mm

240VAC 5RPM 2.5W
 Orig. GM1624FKC2
 8mm MWM1624

SSM16H C2B72754F
 10mm TTM463

AWI FUSES 10 x 38mm

Ceramic tube Brass nickel plated contact cups
 Time delay(T) High breaking capacity.

Rating	Code
8A	HRC8
10A	HRC10
16A	HRC16
20A	HRC20
32A	HRC32

CAROUSEL MOTOR 20+12mm

Body Height 20mm
 Shaft Half moon
 Orig. MULJ24ZB73
 240VAC 2.5RPM 2.5W
 Code MWM462

MICROWAVE 5,000 VOLT FUSES

Supplied complete with fuse holder & 6mm tags.

Rating	Code
600mA	MWF60
700mA	MWF70
750mA	MWF75
800mA	MWF80
1Amp	MWF100

CAROUSEL MOTOR 16+15mm

Body Height 15mm
 Shaft Half moon
GM1624FEK1
 240VAC 5RPM 2.5W
 Code MWM467

FUSES

TOO MANY TO LIST HERE !

GLASS FUSES Common Types
CERAMIC FUSES Fast Blow Types
 A comprehensive range of fuses
 Standard Glass tube types as
 used for 240Vac in microwaves.
See Section 2 Components...

CAROUSEL MOTOR 16+7mm

Body Height 16mm
 Shaft Double Flat
 240VAC 2.5RPM
Orig. RMOTDA091WREO
 P/No. M2LJ24ZA02
 Code MWM91
Orig. RMOTDA133WREO
 Code MWM133

AWI FUSES 5 x 20mm

Ceramic tube Brass nickel plated contact cups
 Time delay(T) High breaking capacity.

Rating	Code
125mA	AFD.125
250mA	AFD.250
1A	AFD1
1.25A	AFD1.25
1.6A	AFD1.6
2A	AFD2
2.5A	AFD2.5
3.15A	AFD3.15
5A	AFD5
6.3A	AFD6.3
8A	AFD8
10A	AFD10
12.5A	AFD12.5

CAROUSEL MOTOR 16+11mm

Body Height 16mm
 Shaft Double Flat
 240VAC 2.5RPM 2.5W
 Code TTM468

Fits "X" Type too
 Subs RMOTDA159WREO

AWI FUSES 6.3 x 32mm

Ceramic tube Brass nickel plated contact cups
 Time delay(T) High breaking capacity.

Rating	Code
1A	AFC1
1.5A	AFC1.5
1.6A	AFC1.6
2A	AFC2
3.15A	AFC3.15
5A	AFC5
6.3A	AFC6.3
7A	AFC7
8A	AFC8
10A	AFC10
12A	AFC12
15A	AFC15
16A	AFC16
20A	AFC20

CAROUSEL MOTOR 23+14mm

Body Height 23mm
 Double Flat
 Orig. A63265450QP
 A63265451QP
 240VAC 2.5RPM 4W
 Code MWM450

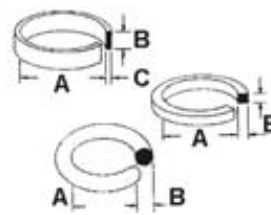
**MORE FUSES SEE...
 SECTION 02**



MICROWAVE OVEN BELTS

High temperature tolerant. As used to rotate trays in ovens.

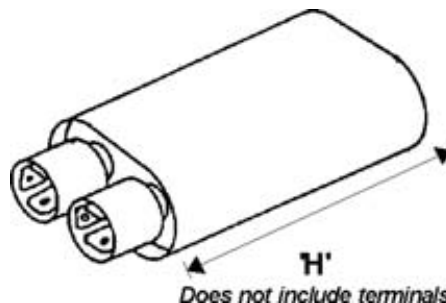
Code	Orig.	A	B	C	Length	Type
MWB95	ANE4060-850	95	7.0	0.6	300	Neoprene
MWB100	ANE4060-820	100	7.5	0.6	320	Neoprene
MWB110	ANE4060B60AP	110	7.0	0.6	340	Neoprene
MWB260	ANE4110-820	260	3.0	Square	800	Neoprene
MWB280	ANE4110-860	280	3.0	Square	880	Neoprene
MWB175	ANE2132580AP	175	2.5	Round	550	Neoprene



CAPACITORS

Correct metal can type replacement capacitors to suit microwave ovens

Value	Voltage	H	W	D	Tabs	Code
0.60µF	2100	85	53	33	6.3mm	MWC601
0.75µF	2100	85	53	33	6.3mm	MWC410
0.75µF	2500	105	53	33	6.3mm	MWC602
0.86µF	2100	80	53	33	6.3mm	MWC86
0.90µF	2100	70	53	33	6.3mm	MWC612
0.91µF	2100	80	53	33	6.3mm	MWC91
0.91µF	2350	100	53	33	6.3mm	MWC604
0.95µF	2100	75	53	33	6.3mm	MWC613
0.95µF	2500	105	53	33	6.3mm	MWC606
0.97µF	2100	97	52	33	6.3mm	MWC97
1.00µF	2100	75	53	33	6.3mm	MWC614
1.05µF	2100	75	53	33	6.3mm	MWC615
1.07µF	2100	85	53	32	6.3mm	MWC107
1.07µF	2100	75	53	32	6.3mm	MWC631
1.07µF	2200	90	52	33	6.3mm	MWC633
1.07µF	2200	80	53	32	6.3mm	MWC632
1.10µF	2100	80	53	33	6.3mm	MWC616
1.10µF	2500	130	53	33	6.3mm	MWC409
1.13µF	2100	85	53	31	6.3mm	MWC113
1.13µF	2100	85	53	33	6.3mm	MWC628
1.14µF	2100	85	53	33	4.6mm	MWC114-4
1.14µF	2100	95	53	33	6.3mm	MWC114-6
1.20µF	2100	85	53	33	6.3mm	MWC618



Sharp Original

Sharp Original

Sharp Original

DUAL CAP

0.67µF +					3x	
0.28µF	2200	65	70	45	6.3MM	MWC417

ORIGINAL SHARP CAPACITORS

Value	Voltage	H	W	D	Tabs	Code
Sharp	RCQZA192WREO					
	RCQZA068WREO					
	RCQZA075WREO					
1.13µF	2100	84	52	31	6.3mm	MWC113
Sharp	RCQZA172WREO					
1.07µF	2100	85	50	32	6.3mm	MWC107
Sharp	RCQZA215WREO					
1.07µF	2200	90	52	33	6.3mm	MWC633



MICROWAVE REPAIR ASSISTANCE MANUAL

There are many dangers involved in servicing microwave ovens. You should prepare yourself with information on the correct safety precautions and basic operations. This 66 page book offers all this information and much more including oven testing, door leakage, cooking sensors, common faults and diagnostic flow charts, popular circuits, and lots of general knowledge for microwave servicing. A must for every workshop or even for those of you who are curious about how these things operate.

Code MAN-MICRO

